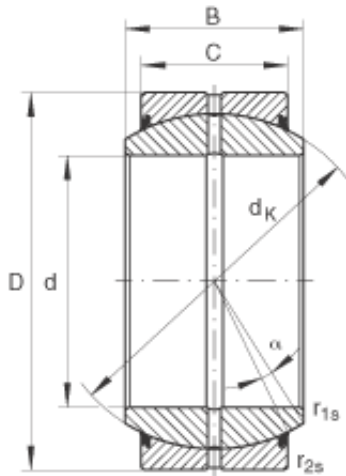




CYRE BEARING LTD



GE100-DO-2RS Bearing 2D drawings and 3D CAD models

INA GE100-DO-2RS GERMANY Bearing

Bearing No. GE100-DO-2RS

Size	100x150x70 mm
Bore Diameter	100 mm
Outer Diameter	150 mm
Width	70 mm
C	55 mm
$D_{a \min}$	123 mm
$d_{a \max}$	109,5 mm
d_K	130 mm
$r_{1s \min}$	1 mm
$r_{2s \min}$	1 mm
alf (°)	7
Weight (kg)	4,3
C_r (N)	608000
C_{Or} (N)	3040000
Category	Spherical Plain Bearings - Radial
Inventory	0.0
Manufacturer Name	SCHAEFFLER GROUP
Minimum Buy Quantity	N/A
Weight / Kilogram	5.19
EAN	4012802037951
Product Group	B04264
Self Aligning	Yes
Rolling Element	Spherical Plain
Material - Outer Member	Steel
Material - Ball	Steel



CYRE BEARING LTD

Material - Liner	Not Applicable
Relubricatable	Yes
Enclosure	2 Seals
Other Features	2 Piece Single Axial Split in Outer Ring
Long Description	100MM Bore; 55MM Housing Width; 150MM Outside Diameter; Spherical Plain; Steel Outer Member; Steel Ball; No Liner; 70MM Overall Width; Relubricatable
Inch - Metric	Metric
Category	Plain Bearings Spherical Radial
UNSPSC	31171515
Harmonized Tariff Code	8483.30.80.70
Noun	Bearing
Keyword 3	Spherical
Keyword String	Plain Spherical Radial
Manufacturer URL	http://www.ina.com
Manufacturer Item Number	GE100DO2RS
Weight / LBS	9.482
Outside Diameter	5.906 Inch 150 Millimeter
Bore	3.937 Inch 100 Millimeter
Housing Width	2.165 Inch 55 Millimeter
Overall Width	2.756 Inch 70 Millimeter