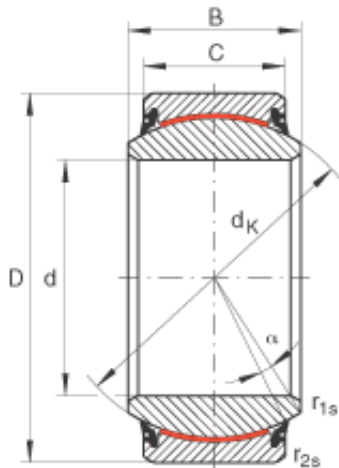




CYRE BEARING LTD



INA GE120-UK-2RS GERMANY Bearing 125*180*125

Bearing No. GE120-UK-2RS

GE120-UK-2RS Bearing 2D drawings and 3D CAD models

Size	120x180x85 mm
Bore Diameter	120 mm
Outer Diameter	180 mm
Width	85 mm
C	70 mm
$D_{a \min}$	150 mm
$d_{a \max}$	135,5 mm
d_k	160 mm
$r_{1s \min}$	1 mm
$r_{2s \min}$	1 mm
alf (°)	6
Weight (kg)	8,1
C_r (N)	2690000
C_{0r} (N)	4480000
Category	Spherical Plain Bearings - Radial
Inventory	0.0
Manufacturer Name	SCHAEFFLER GROUP
Minimum Buy Quantity	N/A
Weight / Kilogram	0
EAN	4012802038132
Product Group	B04264
Component	Complete with Outer and Inner Ring
Self Aligning	Yes



CYRE BEARING LTD

Rolling Element	Spherical Plain Bearing
Material - Outer Member	Steel
Material - Ball	Steel
Material - Liner	PTFE
Relubricatable	No
Enclosure	2 Seals
Other Features	2 Piece Axially Split Outer Ring
Long Description	120MM Bore; 70MM Housing Width; 180MM Outside Diameter; Complete with Outer and Inner Ring; Self Aligning; Spherical Plain Bearing; Steel Outer Member; Steel Ball; PTFE Liner; 2 Seals; 85MM Overall Wi
Inch - Metric	Metric
Category	Plain Bearings Spherical Radial
UNSPSC	31171515
Harmonized Tariff Code	8483.30.80.70
Noun	Bearing
Keyword 3	Spherical
Keyword String	Plain Radial Spherical
Manufacturer URL	http://www.ina.com
Manufacturer Item Number	GE120UK2RS
Weight / LBS	17.64
Overall Width	3.346 Inch 85 Millimeter
Housing Width	2.756 Inch 70 Millimeter
Outside Diameter	7.087 Inch 180 Millimeter
Bore	4.724 Inch 120 Millimeter